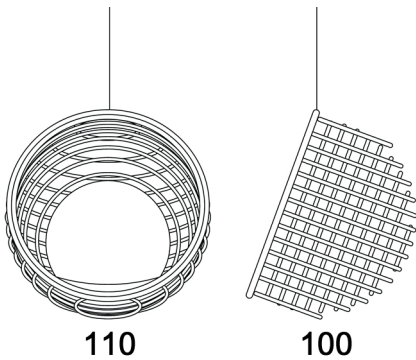


Katà

design by
ENZO BERTI



poltrona in rattan
rattan chair
kg 26 - mc 1,00

Completamente sfoderabile

Struttura in rattan verniciata naturale, bianca, nera o wengè completa di attacco a soffitto. Set di cuscini in poliuretano espanso indeformabile e fibra poliestere, P seduta cm 60 H seduta cm 47

Completely removable cover.

*Rattan frame Natural, white, black or wengè varnished with attached to the ceiling. Set of cushions in stress resistant high density polyurethane foam and polyester fibre.
seat hight cm 47
seat depht cm 60*